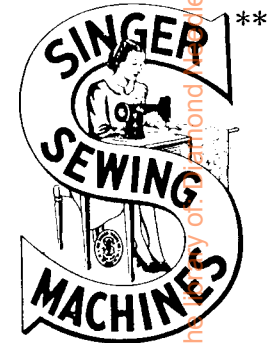


Form 20252
(448)
Printed in U. S. A.

HISTORICAL COPY

DO NOT REMOVE

LIST OF PARTS



FOR FAMILY SHOPS

MACHINES

Nos. 15-210 and 15-211

** A TRADE-MARK OF

THE SINGER MANUFACTURING COMPANY

INDEX

	PAGE
ACCESSORIES - - - - -	15
ATTACHMENT SET - - - - -	15
BIAS GAUGE - - - - -	15
BOBBIN WINDER - - - - -	16
BRAIDER - - - - -	16
CORDER (Bow) - - - - -	16
FELLER (Foot) - - - - -	17
FINGER GUARD - - - - -	17
HEMMER (Foot) - - - - -	17
HEMSTITCHER - - - - -	17
MACHINE No. 15-210 - - - - -	7
MACHINE No. 15-211 - - - - -	13
NUMERICAL LIST OF PARTS - - - - -	21
PRESSER FEET - - - - -	18
PRESSER FOOT WITH GRADUATED ADJUSTABLE GUIDES	17
QUILTER - - - - -	19
RUFFLER SHIRRING PLATE - - - - -	19
SPECIAL ATTACHMENTS - - - - -	19
UNDER BRAIDER - - - - -	19

From the library of: Diamond Needle Corp

INSTRUCTIONS FOR ORDERING

In ordering from this list, use ONLY the part NUMBER in the FIRST Column.

The number stamped on a Sewing Machine Part is in every case the number of the single part only.

Every combination of parts sent out as such has its specific number, which, although not stamped on the parts, must be used when ordering the combination.

Each number always indicates the SAME PART in whatever list it appears, or for whatever machine.

The letters after some of the numbers indicate the style of finish only, as follows:

- A-Hardened, Polished, Nickel Plated and Buffed.
- A.A-Buffed and Chromium Plated.
- A.B-Hardened, Polished, Buffed and Chromium Plated.
- A.C-Brown Baking Enamel Finish.
- A.D-Gray Baking Enamel Finish.
- A.E-Hardened, Bright Rumbled and Nickel Plated.
- A.F-Hardened, Bright Rumbled, Nickel Plated, Bright Rumbled and Chromium Plated.
- A.G-Alumilite, Plain.
- A.H-Alumilite Dyed.
- A.J-Polished, Nickel Plated and Chromium Plated.
- A.K-Hardened, Polished, Nickel Plated and Chromium Plated.
- A.L-Heat Treated for Toughness.
- B-Polished, Nickel Plated and Buffed.
- C-Hardened only.
- C.R-Hardened and Merlized.
- D-Polished Only.
- E-Soft, Not Polished.
- F-Hardened and Polished.
- F.J-Hardened, Polished and Nickel Plated.
- G-Bright Rumbled and Nickel Plated.
- H-Blued.
- J-Nickel Plated Only.
- K-Hardened and Nickel Plated.
- L-Brass Plated.
- M-Oxidized.
- N-Japanned, Dull.

INSTRUCTIONS FOR ORDERING - Continued

- P-Japanned, Bright.
- P.P-Wrinkle Finish.
- R-Merlized.
- S-Cadmium Plated.
- T-Copper Plated.
- T.A-Hardened, Polished, Copper and Nickel Plated and Buffed.
- T.B-Copper and Nickel Plated and Polished.
- T.J-Copper and Nickel Plated Only.
- T.K-Hardened, Copper and Nickel Plated.
- T.L-Copper and Brass Plated.
- T.M-Copper Plated and Oxidized.
- U-Zinc Plated.
- V-Silver Plated.
- W-Polished and Nickel Plated.
- X-Black Oxide, for Iron and Steel.
- X.C-Hardened and Black Oxide, for Iron and Steel.
- Y-Black Nickel Plated Only.
- Z-Chromium Plated.
- Z.A-Hardened, Polished, Nickel Plated, Buffed and Chromium Plated.
- Z.B-Polished, Nickel Plated, Buffed and Chromium Plated.
- Z.C-Hardened and Chromium Plated.
- Z.D-Polished and Chromium Plated.
- Z.G-Bright Rumbled, Nickel Plated, Bright Rumbled and Chromium Plated.
- Z.J-Nickel and Chromium Plated.
- Z.T-Copper and Chromium Plated.

These letters MUST BE USED when they appear in the list; and AFTER the number as in the list.

In this series:

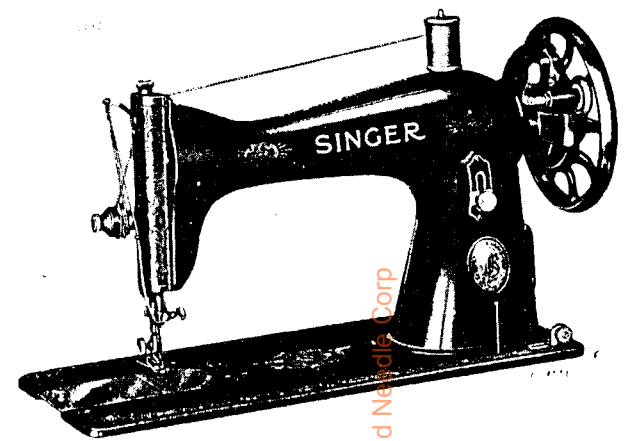
- 1 to 1500, 50001 to 51500 and 140001 to 142000 are Screw Numbers.
- 1501 to 1800 and 51501 to 51800 are Nut Numbers.
- 1801 to 2000 and 51801 to 52000 are Roller Numbers.
- 2001 to 50000 and 52001 to 140000 and 142001 to 190000 are Sewing Machine Parts, 190001 and upward are numbers of Electrical Parts.

The figures in the second column refer only to the plates, illustrating the parts, and are NOT TO BE USED in ordering.

Parts marked with an asterisk (*) are furnished only when repairs are made at factory.

From the library of: Diamond Needle Corp

LIST OF PARTS COMPLETE
FOR



MACHINE No. 15-210

FOR FAMILY USE. C. B. SHUTTLE. DROP FEED.
BALANCED MACHINE

SINGER Needles should be used
in SINGER Machines.
These Needles and their Containers
are marked with the
Company's Trade-Mark "SIMANCO. ***" 1

Needles in Containers marked
"FOR SINGER MACHINES"
are NOT **SINGER** made needles. 2

No.	Plate	Name
*125106	----	Arm with 435AL, 448AL, 15404, 15486, 15498 and two 15405.....
2002	21481	Arm Dowel Pin (2).....
125331	21481	" Oil Pad (felt) for oiling Arm Shaft Back Bearing.....
125333	21481	Arm Oil Pad Spring.....
125334G	21481	" " " " Cap.....
138E	21481	" Screw (3).....
125042	21481	" Shaft.....
15498	21481	" " Bushing.....
435AL	21481	" " " Set Screw.....
125425B	21481	" Side Cover.....
51224B	21481	" " " Thumb Screw.....
2007G	21481	" Spool Pin.....
8879	21481	" " " Washer (cloth).....
15282	21481	Balance Wheel, 2 1/4 in. pulley....
*125255	----	Bed.....
256B	21481	Clamp Stop Motion Clamp Screw.....

Library of Diamond Needle Corp

No.	Plate	Name
248A	21481	Clamp Stop Motion Clamp Stop Screw.
2020	21481	" " " " Washer.....
15313	21481	" " " " " with
		two 462AL.....
462AL	21481	Clamp Stop Motion Clamp Washer Set Screw (2).....
15314	21481	Clamp Stop Motion complete, Nos. 248A, 256B, 2020 and 15313.....
125021R	21481	Crank Connecting Rod with 125044 and two 896AL.....
896AL	21481	Crank Connecting Rod Cap Screw (2).
375C	21481	" " " Hinge Screw...
1518R	21481	" " " " "
		Nut.....
125044	21481	Crank Connecting Rod Oil Pad (felt)
125431	21483	Face Plate with 857B, 50292B, 125317G and 125423.....
190J	21483	Face Plate Screw.....
125422G	-----	" " Thread Guard.....
125423	21483	" " " " 125422G with 125424G.....
125424G	-----	Face Plate Thread Guard Rivet.....
125432	21483	Face Plate complete, Nos. 125315 and 125431.....
2835C	21482	Feed Bar.....
315C	21482	" " Screw Center (2).....
15445	-----	" " " " 315C with 1519R (2).....
1519R	21482	Feed Bar Screw Center Nut (2).....
125386R	21482	" " Throw-out Lever with 1813.
125349	21482	" " " " Retaining Ring.....
1813	21482	Feed Bar Throw-out Lever Roller and Stud.....
125387	-----	Feed Bar Throw-out Lever Spring....
51289X	21482	" " " " Thumb Screw.....
125045	21481	Feed Cam and Counterbalance with 1285AL.....
1285AL	21481	Feed Cam and Counterbalance Po- sition Screw.....
15279	21483	Feed Dog, 12 teeth (14 teeth to the inch) three teeth at right of needle, square corner, for use with 15280, 15316 and 15317....
		Note: No. 15279 is regularly furnished with this machine.
15304	-----	Feed Dog, 15 teeth (18 teeth to the inch) three teeth at right of needle, square corner, for use with 15280, 15316 and 15317....
208AL	21483	Feed Dog Screw (2).....
125046R	21481	" Forked Connection.....
125085	-----	" " " 125046R with 125335.....

No.	Plate	Name
1381C	21481	Feed Forked Connection Hinge Screw (eccentric).....
1520R	21481	Feed Forked Connection Hinge Screw Nut.....
125047	21481	Feed Forked Connection Slide Block.
125335	-----	" " " " "
		125047 with 1085E.....
1085E	21481	Feed Forked Connection Slide Block Screw Stud.....
125429R	21482	Feed Lifting Rock Shaft.....
125430	-----	Feed Lifting Rock Shaft complete, Nos. 125349, 125389 and 125429R
125388R	21482	Feed Lifting Rock Shaft Crank with 157R.....
		157R 21482 Feed Lifting Rock Shaft Crank Clamping Screw.....
125389	-----	Feed Lifting Rock Shaft Crank com- plete, Nos. 51289X and 125386R to 125388R.....
304C	21482	Feed Lifting Rock Shaft Screw Center (2).....
125344	-----	Feed Lifting Rock Shaft Screw Center 304C with 1513R (2)....
1513R	21482	Feed Lifting Rock Shaft Screw Center Nut (2).....
125101	21481	Feed Regulator.....
125102	-----	" " 125101 with 51225B..
8217	21481	" " Friction Washer....
50353E	21481	" " Hinge Screw.....
51225B	21481	" " Thumb Screw.....
15297R	21482	" Rock Shaft.....
304C	21482	" " Screw Center (2)...
125344	-----	" " " " 304C with 1513R (2).....
1513R	21482	Feed Rock Shaft Screw Center Nut (2).....
51045AL	21481	Machine Hinge Connection Set Screw (2).....
125079	21481	Needle Bar.....
125052	21481	" " Bushing.....
125438	-----	" " " 125052 with 125072.....
125072	21481	Needle Bar Bushing Oil Pad (felt)..
1498AL	21481	" " " Set Screw.....
15248	21481	" " Connecting Link with 51002E.....
15374	-----	Needle Bar Connecting Link with 2052.....
51002E	21481	Needle Bar Connecting Link Adjust- ing Screw.....
570C	21481	Needle Bar Connecting Link Hinge Screw.....
1520R	21481	Needle Bar Connecting Link Hinge Screw Nut.....

No.	Plate	Name
2052	21481	Needle Bar Connecting Stud with 155C.....
155C	21481	Needle Bar Connecting Stud Set Screw.....
125095	21481	Needle Bar Thread Guard.....
251A	21481	" " " " Screw.....
2054G	21481	" Clamp with 552C.....
552C	21481	" " Thumb Screw.....
125055R	21482	Oscillating Rock Shaft with 125056.
125048	21482	" " " " Center (left)
51246AL	21482	" " " " " "
		Set Screw.....
125049	21482	Oscillating Rock Shaft Center (right).....
51246AL	21482	Oscillating Rock Shaft Center (right) Set Screw.....
125056	21482	Oscillating Rock Shaft Oil Wick (braided cotton).....
2510	21482	Oscillating Shaft.....
125057	21482	" " Crank.....
125059	-----	" " " 125057 with 125330 and two 462AL.....
125330	21482	Oscillating Shaft Crank Slide Block with Stud.....
462AL	21482	Oscillating Shaft Crank Set Screw (2).....
125061	21481	Presser Bar.....
5562IAE	21481	" " Lifter.....
15486	21481	" " " Hinge Stud.....
448AL	21481	" " " " " Set Screw.....
80011	21481	Presser Bar Spring.....
2068	21481	" " " Bracket with 453AL.....
453AL	21481	Presser Bar Spring Bracket Set Screw.....
2070	21481	Presser Bar Spring Washer.....
45329	21483	" Foot Hinge Pin.....
*45319	21483	" " Plate.....
*45320	21483	" " Shank.....
45321G	21483	Presser Foot (hinged) complete, Nos. 45319, 45320 and 45329....
51224B	21483	Presser Foot Thumb Screw.....
51228J	21481	Pressure Regulating Thumb Screw....
66773J	-----	" " " " " "
		51228J with 66752.....
66752	21481	Pressure Regulating Thumb Screw Plug (left).....
2518	21473	Shuttle Bobbin.....
15140	21473	" " Case Latch.....
2973	21473	" " " " Lever....
2974	21473	" " " " " "
		Fulcrum Pin.....
2975	21473	Shuttle Bobbin Case Latch Spring....

No.	Plate	Name
592E	21473	Shuttle Bobbin Case Latch Stop Screw.....
15141	21473	Shuttle Bobbin Case Hinge, Nos. 2973, 2974 and 15140.....
15277	21473	Shuttle Bobbin Case with 591F, 592E, 2975, 15141 and 15278....
2515	21473	Shuttle Body.....
591F	21473	" Tension Regulating Screw....
15278	21473	" " Spring.....
125018	21473	Shuttle, 1 11/16 in. diam., Nos. 2515, 2518 and 15277.....
125064	21482	Shuttle Driver with 125065 and two each 462AL and 51229E.....
125065	21482	Shuttle Driver Cushion Spring.....
51229E	21482	" " " " Screw (2).....
462AL	21482	Shuttle Driver Set Screw (2).....
2531	21473	" Race Back.....
2532	21473	" " " Position Pin (2).
125080	21473	" " " Spring.....
648R	21473	" " " Screw.....
2530	21473	" " Body.....
15420	21473	" " " 2530 with 2535 and two 662R.....
2535	21473	Shuttle Race Cap.....
662R	21473	" " " Screw (2).....
2528	21473	Shuttle Race complete, Nos. 648R, 2531, 15420, 125080 and two 2532.....
145J	21473	Shuttle Race Screw (2).....
125336B	21483	" " Slide.....
125337	21483	" " " Spring.....
51282ZJ	21483	" " " " Screw (2)
125338	21483	Shuttle Race Slide complete, Nos. 125336B, 125337 and two 51282ZJ
125103B	21481	Stitch Indicator.....
125104	21481	" " " Plate.....
140202S	21481	" " " " Screw (2)...
2102	21483	Tension Disc (2).....
125310	21483	" Indicator.....
125311	21483	" " Flange.....
51608B	21483	" Regulating Thumb Nut.....
125312	21483	" Releasing Disc.....
125313	21483	" " Pin.....
125314	21483	" Spring.....
51257W	21483	" Stud.....
50292B	21483	" " Set Screw.....
125315	-----	Tension (graduated) complete, Nos. 51257W, 51608B, 125310 to 125314, 125316, 125318 and two 2102.....
26075C	21481	Thread Cutter and Holder.....
15272	21481	" Take-up Cam with 1293AL....
*15434	-----	" " " 15272 with 570C and 1520R.....

No.	Plate	Name
1293AL	21481	Thread Take-up Cam Position Screw..
15492	21481	" " Lever with 1822 and 50527C.....
50527C	21481	Thread Take-up Lever Hinge Screw...
1822	21481	" " " Roller and Stud.....
125316	21483	Thread Take-up Spring.....
125317G	21483	" " " Regulator....
857B	21483	" " " " Set Screw.....
125318	21483	Thread Take-up Spring Thread Guard.
15316A	-----	Throat Plate (large needle hole) for use with 15279 and 15304...
15280A	21483	Throat Plate (medium needle hole) for use with 15279 and 15304...
	Note:	No. 15280A is regularly furnished with this machine.
15317A	-----	Throat Plate (small needle hole) for use with 15279 and 15304...
691A	21483	Throat Plate Screw (2).....
*15404	-----	Trade Mark.....
15405	-----	" " Rivet (2).....

MACHINE No. 15-211

FOR FAMILY USE. C. B. SHUTTLE. DROP FEED.
BALANCED MACHINE. HAND ATTACHMENT.

THIS MACHINE IS THE No. 15-210 WITH THE
ADDITION OF THE FOLLOWING:

HAND ATTACHMENT PARTS

No.	Plate	Name
94050	21486	Body.....
94027	21486	" Bracket.....
183E	21486	" " Screw (2).....
94028	21486	Crank Handle (wood).....
94029	21486	" " Spindle.....
94030	21486	" " Flange (loose)
94069	21486	" Hinge Pin.....
94031	21486	" Lever.....
94032	21486	" " Lock Pin.....
94033	21486	" " " Head.....
55531	21486	" " " Spring (music wire) for 94051.....
94034	-----	Hand Attachment Crank complete, Nos. 94028 to 94031.....
94046	21486	Driver.....
94070	-----	" 94046 with 80028 and 94048..
94036	21486	" Finger.....
94041	-----	" " 94036 with SS567E, 94039 and 94040.....
94039	21486	Driver Finger Driving Pad (rawhide)
94040	21486	" " " " Plate....
SS567E	21486	" " " " and Plate Binding Screw.....
94044	21486	Driver Finger Hinge Pin.....
94037	21486	" " Latch.....
SS565E	21486	" " " Screw Stud....
94038	21486	" " " Spring.....
94051	21486	Gear with 55531, 94032 and 94033...
94016	21486	" Cover.....
399A	21486	" " Screw (2).....
SS599F	21486	" " Screw Stud.....
94048	21486	Pinion.....
SS600F	21486	" " Screw Stud.....
80028	21486	" Dowel Pin.....

No.	Plate	Name
94052	21486	Hand Attachment complete, Nos. 38565E, 38566C, 38599F, 38600F, 94016, 94027, 94034, 94037, 94038, 94041, 94044, 94050, 94051, 94069, 94070 and two each 183E and 399A.....
38566C	21486	Hand Attachment Screw.....

SINGER Needles should be used
in SINGER Machines.
These Needles and their Containers
are marked with the
Company's Trade-Mark "SIMANCO.**" 1

Needles in Containers marked
"FOR SINGER MACHINES"
are NOT **SINGER** made needles. 2

ACCESSORIES

No.	Plate	Name
120862	21479	Oil Can, contents 1 1/3 fl. oz. (filled with household oil)....
120329	-----	Machine Cover.....

ATTACHMENT SET

No.	Plate	Name
8879	21485	Arm Spool Pin Washer (cloth).....
160359	21485	Binder (slotted for various widths of bindings) with Pin Tape Guide, for unfolded bias bind- ing 15/16 in. wide, (commercial binding No. 6) and folded bias bindings 1/2 in. wide (com- mercial binding No. 5) 7/16 in. wide (commercial binding No. 4) 3/8 in. wide (commercial bind- ing No. 3) 5/16 in. wide (com- mercial binding No. 2) and 1/4 in. wide (commercial binding No. 1).....
36865	21485	Edge Stitcher.....
35931	21485	Hemmer (adjustable).....
120842	21485	" (foot) flat bottom for 5/64 in. hem.....
121441	21485	Presser Foot for gathering.....
25537	21485	Screw Driver (machine).....
120378	21485	" " (shuttle tension)....
2518	21485	Shuttle Bobbin (4).....
121894	-----	Attachment Set Nos. 8879, 25537, 35931, 36865, 120378, 120842, 121441, 160359 and four 2518...
120598	21485	Ruffler for one, six and twelve stitch ruffling.....
121895	21485	Attachment Set complete, Nos. 120598 and 121894.....

BIAS GAUGE

No.	Plate	Name
25525	21479	Bias Gauge.....

BOBBIN WINDER

No.	Plate	Name
15072	21484	Bobbin Position Pin.....
125324	21484	Bracket (belt cover).....
158E	21484	" Screw (2).....
66670	21484	Frame.....
125366	-----	" 66670 with 15288 and 125068..
51319R	21484	" Hinge Screw.....
66601	21484	" Spring.....
15287	21484	Friction Ring (rubber).....
15288	21484	Pulley.....
125068	21484	Spindle with 15072.....
125376	21484	Stop Latch.....
51303R	21484	" " Hinge Screw.....
125462	21484	" " Spring.....
125395	21484	Tension Bracket.....
45845	21484	" Disc.....
45847	21484	" Spring.....
140138ZB	21484	" Screw.....
45846	21484	" " Washer.....
125396	21484	Tension Bracket complete, Nos. 45845 to 45847, 125395 and 140138ZB.....
193B	21484	Tension Bracket Screw.....
7071	21484	" " " Washer.....
125326	21484	Tripping Arm.....
190R	21484	" " Screw.....
125327	21484	Bobbin Winder complete, Nos. 190R, 15287, 51303R, 51319R, 66601, 125324, 125326, 125366, 125376 and 125462.....

BRAIDER

No.	Plate	Name
25510	21478	Braider.....
289B	21478	" Thumb Screw.....

CORDER (Bow)
FOR TOP CORDING

No.	Plate	Name
26399	21479	Corder Bow complete.....
190J	21479	" Screw.....

FELLER (Foot)

No.	Plate	Name
36835	21478	Feller (foot).....

FINGER GUARD

No.	Plate	Name
121725	21478	Finger Guard.....

HEMMER (Foot)

No.	Plate	Name
25893	21478	Hemmer (foot) for 1/4 in. hem.....

HEMSTITCHER

No.	Plate	Name
120687	21478	Hemstitcher with Yielding Presser Plate.....

PRESSER FOOT WITH GRADUATED
ADJUSTABLE GUIDES

No.	Plate	Name
121717	21479	Presser Foot with 337D, 35002, 35135, 35206 and 36696.....
35002	21479	Presser Foot Extension.....
35003	21479	Presser Foot Graduated Adjustable Guide (long, left).....
35004	21479	Presser Foot Graduated Adjustable Guide (long, right).....
35005	21479	Presser Foot Graduated Adjustable Guide (short, right).....
35006	21479	Presser Foot Graduated Adjustable Guide (short, right) flush.....

18 PRESSER FOOT WITH GRADUATED ADJUSTABLE GUIDES

No.	Plate	Name
35135	21479	Presser Foot Graduated Adjustable Guide Clamp.....
35206	21479	Presser Foot Graduated Adjustable Guide Clamp Lever.....
337D	21479	Presser Foot Graduated Adjustable Guide Clamp Screw.....
36696	21479	Presser Foot Graduated Adjustable Guide Clamp Steady Pin.....
121718	21479	Presser Foot with Extension and Graduated Adjustable Guide complete, Nos. 35003 to 35006 and 121717.....

PRESSER FEET

No.	Plate	Name
15429	21478	Presser Foot (needle hole on right hand side) for stitching on edge and inserting braid.....
125035	21478	Presser Foot (right toe) for stitching on edge and inserting cord.....
36058	21478	Presser Foot with 865B and 36059, for blind stitch cording, to turn small curves.....
36059	21478	Presser Foot Cord Guide..... Note: When ordering No. 36058 or 36059, send sample of cord for which it is to be used.
665B	21478	Presser Foot Cord Guide Screw.....
2506	21478	Feed Dog for use with 2831 and 36058.....
2831	21478	Throat Plate, large needle hole, for use with 2506.....
36067	21478	Presser Foot, for braiding, for art work, for braid 1/16 in. to 3/16 in. wide..... Note: When ordering No. 36067, state the size or send sample of braid for which it is to be used.
25978	21478	Presser Foot (single toe) for gathering.....
121441	21478	Presser Foot (double toe) for gathering.....

QUILTER

No.	Plate	Name
35932	21478	Quilter.....

RUFFLER SHIRRING PLATE

(Universal)

No.	Plate	Name
121170	21479	Ruffler Shirring Plate (universal) with 51395W.....
51395W	21479	Ruffler Shirring Plate Thumb Screw.....

UNDER BRAIDER

No.	Plate	Name
121547	21479	Under Braider.....
25637	21479	" " Foot.....

SPECIAL ATTACHMENTS

FOR COMPONENT PARTS OF THESE ATTACHMENTS, REFER TO FORM I9385, LIST OF PARTS FOR SINGER FASHION AIDS.

No.	Plate	Name
121795	----	Buttonhole Attachment complete.....
121094	----	Darning Foot (spring) complete.....
26538	----	Embroidery Attachment complete for one thread.....
35505	----	Embroidery Attachment complete for two threads.....
121387	----	Hemstitching and Picoting Attachment complete.....
121634	----	Needle Threader and Seam Ripper complete.....
121255	----	Singercraft Fagoter complete.....
121079	----	Singercraft Guide complete.....
35985	----	Tubular Trimming Attachment complete.....
121706	----	Zigzag Attachment (adjustable) complete.....

From the library of: National Needle Co.

SINGER Needles should be used
in SINGER Machines.
These Needles and their Containers
are marked with the
Company's Trade-Mark "SIMANCO.***" 1

Needles in Containers marked
"FOR SINGER MACHINES"
are NOT **SINGER** made needles. 2

NUMERICAL LIST OF PARTS

No.	Plate	Name
138E	21481	Arm Screw (3).....
145J	21473	Shuttle Race Screw (2).....
155C	21481	Needle Bar Connecting Stud Set Screw for 2052.....
157R	21482	Feed Lifting Rock Shaft Crank Clamping Screw for 125388R.....
158E	21484	Bobbin Winder Bracket Screw (2).....
183E	21486	Hand Attachment Body Bracket Screw for 94052 (2).....
190J	21483	Face Plate Screw.....
190J	21479	Corder Screw.....
190R	21484	Bobbin Winder Tripping Arm Screw for 125327.....
193B	21484	Bobbin Winder Tension Bracket Screw
208AL	21483	Feed Dog Screw (2).....
248A	21481	Clamp Stop Motion Clamp Stop Screw for 15314.....
251A	21481	Needle Bar Thread Guard Screw.....
256B	21481	Clamp Stop Motion Clamp Screw for 15314.....
289B	21478	Braider Thumb Screw.....
304C	21482	Feed Lifting Rock Shaft Screw Center for 125344 (2).....
304C	21482	Feed Rock Shaft Screw Center for 125344 (2).....
315C	21482	Feed Bar Screw Center for 15445 (2)
337D	21479	Presser Foot Graduated Adjustable Guide Clamp Screw for 121717...
375C	21481	Crank Connecting Rod Hinge Screw...
399A	21486	Hand Attachment Gear Cover Screw for 94052 (2).....
435AL	21481	Arm Shaft Bushing Set Screw for 125106.....
448AL	21481	Presser Bar Lifter Hinge Stud Set Screw for 125106.....
453AL	21481	Presser Bar Spring Bracket Set Screw for 2068.....
462AL	21481	Clamp Stop Motion Clamp Washer Set Screw for 15313 (2).....
462AL	21482	Oscillating Shaft Crank Set Screw for 125059 (2).....
462AL	21482	Shuttle Driver Set Screw for 13064
552C	21481	Needle Clamp Thumb Screw for 2054G.
SS565E	21486	Hand Attachment Driver Finger Latch Screw Stud for 94052.....
SS566C	21486	Hand Attachment Screw for 94052....
SS567E	21486	" " Driver Finger Driv- ing Pad and Plate Binding Screw for 94041.....
570C	21481	Needle Bar Connecting Link Hinge Screw for 15434.....

NUMERICAL LIST OF PARTS

No.	Plate	Name
591F	21473	Shuttle Tension Regulating Screw for 15277.....
592E	21473	Shuttle Bobbin Case Latch Stop Screw for 15277.....
S3599F	21486	Hand Attachment Gear Screw Stud for 94052.....
S3600F	21486	Hand Attachment Pinion Screw Stud for 94052.....
648R	21473	Shuttle Race Back Spring Screw for 2528.....
662R	21473	Shuttle Race Cap Screw for 15420 (2).....
665B	21478	Presser Foot Cord Guide Screw for 36058.....
691A	21483	Throat Plate Screw (2).....
857B	21483	Thread Take-up Spring Regulator Set Screw for 125431.....
896AL	21481	Crank Connecting Rod Cap Screw for 125021 (2).....
1085E	21481	Feed Forked Connection Slide Block Screw Stud for 125335.....
1285AL	21481	Feed Cam and Counterbalance Position Screw for 125045.....
1293AL	21481	Thread Take-up Cam Position Screw for 15272.....
1381C	21481	Feed Forked Connection Hinge Screw (eccentric).....
1498AL	21481	Needle Bar Bushing Set Screw.....
1513R	21482	Feed Lifting Rock Shaft Screw Center Nut for 125344 (2).....
1513R	21482	Feed Rock Shaft Screw Center Nut for 125344 (2).....
1518R	21481	Crank Connecting Rod Hinge Screw Nut.....
1519R	21482	Feed Bar Screw Center Nut for 15445 (2).....
1520R	21481	Feed Forked Connection Hinge Screw Nut.....
1520R	21481	Needle Bar Connecting Link Hinge Screw Nut for 15434.....
1813	21482	Feed Bar Throw-out Lever Roller and Stud for 125386.....
1822	21481	Thread Take-up Lever Roller and Stud for 15492.....
2002	21481	Arm Dowel Pin (2).....
2007G	21481	" Spool Pin.....
2020	21481	Clamp Stop Motion Clamp Washer for 15314.....
2052	21481	Needle Bar Connecting Stud with 155C, for 15374.....
2054G	21481	Needle Clamp with 552C.....
2068	21481	Presser Bar Spring Bracket with 453AL.....
2070	21481	Presser Bar Spring Washer.....

NUMERICAL LIST OF PARTS

No.	Plate	Name
2102	21483	Tension Disc for 125315 (2).....
2506	21478	Feed Dog for use with 2831 and 36058.....
2510	21482	Oscillating Shaft.....
2515	21473	Shuttle Body for 125018.....
2518	21473	Shuttle Bobbin for 121894 and 125018.....
2528	21473	Shuttle Race complete, Nos. 648R, 2531, 15420, 125080 and two 2532.....
2530	21473	Shuttle Race Body for 15420.....
2531	21473	Shuttle Race for 2528.....
2532	21473	" " " Position Pin for 2528 (2).....
2535	21473	Shuttle Race Cap for 15420.....
2831	21478	Throat Plate, large needle hole, for use with 2506.....
2835C	21482	Feed Bar.....
2973	21473	Shuttle Bobbin Case Latch Lever for 15141.....
2974	21473	Shuttle Bobbin Case Latch Lever Fulcrum Pin for 15141.....
2975	21473	Shuttle Bobbin Case Latch Spring for 15277.....
7071	21484	Bobbin Winder Tension Bracket Screw Washer.....
8217	21481	Feed Regulator Friction Washer.....
8879	21481	Arm Spool Pin Washer (cloth) for 121894.....
15072	21484	Bobbin Winder Bobbin Position Pin for 125068.....
15140	21473	Shuttle Bobbin Case Latch for 15141
15141	21473	Shuttle Bobbin Case Hinge for 15277 Nos. 2973, 2974 and 15140.....
15248	21481	Needle Bar Connecting Link with 51002E.....
15272	21481	Thread Take-up Cam with 1293AL for 15434.....
15277	21473	Shuttle Bobbin Case with 591F, 592E, 2975, 15141 and 15278, for 125018.....
15278	21473	Shuttle Tension Spring for 15277...
15279	21483	Feed Dog, 12 teeth (14 teeth to the inch) three teeth at right of needle, square corner, for use with 15280, 15316 and 15317....
15280A	21483	Throat Plate (medium needle hole) for use with 15279 and 15304... Note: No. 15280A is regularly furnished with this machine.
15282	21481	Balance Wheel, 2 1/4 in. pulley....
15287	21484	Bobbin Winder Friction Ring (rubber) for 125327.....
15288	21484	Bobbin Winder Pulley for 125366....

No.	Plate	Name
15297R	21482	Feed Rock Shaft.....
15304	-----	Feed Dog, 15 teeth (18 teeth to the inch) three teeth at right of needle, square corner, for use with 15280, 15316 and 15317....
15313	21481	Clamp Stop Motion Clamp Washer with two 462AL, for 15314.....
15314	21481	Clamp Stop Motion complete, Nos. 248A, 256B, 2020 and 15313.....
15316A	-----	Throat Plate (large needle hole) for use with 15279 and 15304...
15317A	-----	Throat Plate (small needle hole) for use with 15279 and 15304...
15374	-----	Needle Bar Connecting Link with 2052.....
*15404	-----	Trade Mark for 125106.....
15405	-----	" " Rivet for 125106 (2)....
15420	21473	Shuttle Race Body 2530 with 2535 and two 662R, for 2528.....
15429	21478	Presser Foot (needle hole on right hand side) for stitching on edge and inserting braid.....
*15434	-----	Thread Take-up Cam 15272 with 570C and 1520R.....
15445	-----	Feed Bar Screw Center 315C with 1519R (2).....
15486	21481	Presser Bar Lifter Hinge Stud.....
15492	21481	Thread Take-up Lever with 1822 and 50527C.....
15498	21481	Arm Shaft Bushing for 125106.....
25510	21478	Braider.....
25525	21479	Bias Gauge.....
25537	21485	Screw Driver (machine) for 121894..
25637	21479	Under Braider Foot.....
25893	21478	Hemmer (foot) for 1/4 in. hem.....
25978	21478	Presser Foot (single toe) for gathering.....
26075C	21481	Thread Cutter and Holder.....
26399	21479	Corder Bow complete.....
26538	-----	Embroidery Attachment complete for one thread.....
35002	21479	Presser Foot Extension for 121717..
35003	21479	Presser Foot Graduated Adjustable Guide (long, left) for 121718..
35004	21479	Presser Foot Graduated Adjustable Guide (long, right) for 121718..
35005	21479	Presser Foot Graduated Adjustable Guide (short, right) for 121718..
35006	21479	Presser Foot Graduated Adjustable Guide (short, right) flush for 121718.....
35135	21479	Presser Foot Graduated Adjustable Guide Clamp for 121717.....
35206	21479	Presser Foot Graduated Adjustable Guide Clamp Lever for 121717...

No.	Plate	Name
35505	-----	Embroidery Attachment complete for two threads.....
35931	21485	Hemmer (adjustable) for 121894.....
35932	21478	Quilter.....
35985	-----	Tubular Trimming Attachment complete.....
36058	21478	Presser Foot with 665B and 36059, for blind stitch cording, to turn small curves.....
36059	21478	Presser Foot Cord Guide for 36058..
	Note:	When ordering No. 36058 or 36059, send sample of cord for which it is to be used.
36067	21478	Presser Foot, for braiding, for art work, for braid 1/16 in. to 3/16 in. wide.....
	Note:	When ordering No. 36067, state the size or send sample of braid for which it is to be used.
36696	21479	Presser Foot Graduated Adjustable Guide Clamp Steady Pin for 121717.....
36835	21478	Feller (foot).....
36865	21485	Edge Stitcher for 121894.....
*45319	21483	Presser Foot Plate for 45321.....
*45320	21483	" " Shank for 45321.....
45321G	21483	Presser Foot (hinged) complete, Nos. 45319, 45320 and 45329....
45329	21483	Presser Foot Hinge Pin for 45321...
45845	21484	Bobbin Winder Tension Disc for 125396.....
45846	21484	Bobbin Winder Tension Screw Washer for 125396.....
45847	21484	Bobbin Winder Tension Disc Spring for 125396.....
50292B	21483	Tension Stud Set Screw for 125431..
50353E	21481	Feed Regulator Hinge Screw.....
50527C	21481	Thread Take-up Lever Hinge Screw for 15492.....
51002E	21481	Needle Bar Connecting Link Adjusting Screw for 15248.....
51045AL	21481	Machine Hinge Connection Set Screw (2).....
51224B	21481	Arm Side Cover Thumb Screw.....
51224B	21483	Presser Foot Thumb Screw.....
51225B	21481	Feed Regulator Thumb Screw for 125102.....
51228J	21481	Pressure Regulating Thumb Screw for 66773J.....
51229E	21482	Shuttle Driver Cushion Spring Screw for 125064 (2).....
51246AL	21482	Oscillating Rock Shaft Center (left) Set Screw.....
51246AL	21482	Oscillating Rock Shaft Center (right) Set Screw.....

No.	Plate	Name
51257W	21483	Tension Stud for 125315.....
51282ZJ	21483	Shuttle Race Slide Spring Screw for 125338 (2).....
51289X	21482	Feed Bar Throw-out Lever Thumb Screw for 125389.....
51303R	21484	Bobbin Winder Stop Latch Hinge Screw for 125327.....
51319R	21484	Bobbin Winder Frame Hinge Screw for 125327.....
51395W	21479	Ruffler Shirring Plate Thumb Screw for 121170.....
51608B	21483	Tension Regulating Thumb Nut for 125315.....
55531	21486	Hand Attachment Crank Lever Lock Pin Spring (music wire) for 94051.....
55621AE	21481	Presser Bar Lifter.....
66601	21484	Bobbin Winder Frame Spring for 125327.....
66670	21484	Bobbin Winder Frame for 125366.....
66752	21481	Pressure Regulating Thumb Screw Plug (left) for 66773.....
66773J	-----	Pressure Regulating Thumb Screw 51228J with 66752.....
80011	21481	Presser Bar Spring.....
80028	21486	Hand Attachment Pinion Dowel Pin for 94070.....
94016	21486	Hand Attachment Gear Cover for 94052.....
94027	21486	Hand Attachment Body Bracket for 94052.....
94028	21486	Hand Attachment Crank Handle (wood) for 94034.....
94029	21486	Hand Attachment Crank Handle Spindle for 94034.....
94030	21486	Hand Attachment Crank Handle Spindle Flange (loose) for 94034....
94031	21486	Hand Attachment Crank Lever for 94034.....
94032	21486	Hand Attachment Crank Lever Lock Pin for 94051.....
94033	21486	Hand Attachment Crank Lever Lock Pin Head for 94051.....
94034	-----	Hand Attachment Crank complete, for 94052, Nos. 94028 to 94031.....
94036	21486	Hand Attachment Driver Finger for 94041.....
94037	21486	Hand Attachment Driver Finger Latch for 94052.....
94038	21486	Hand Attachment Driver Finger Latch Spring for 94052.....
94039	21486	Hand Attachment Driver Finger Driving Pad (rawhide) for 94041....
94040	21486	Hand Attachment Driver Finger Driving Pad Plate for 94041.....

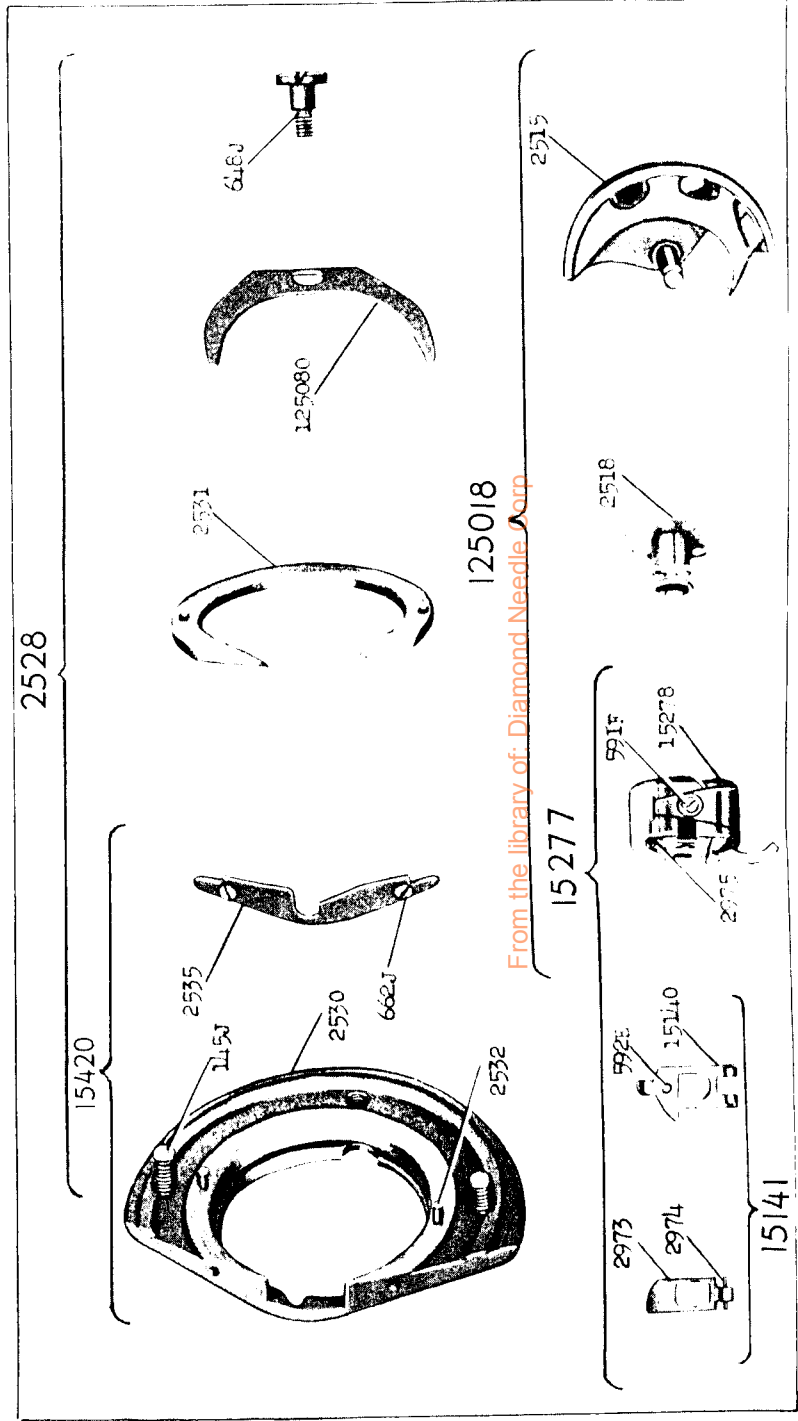
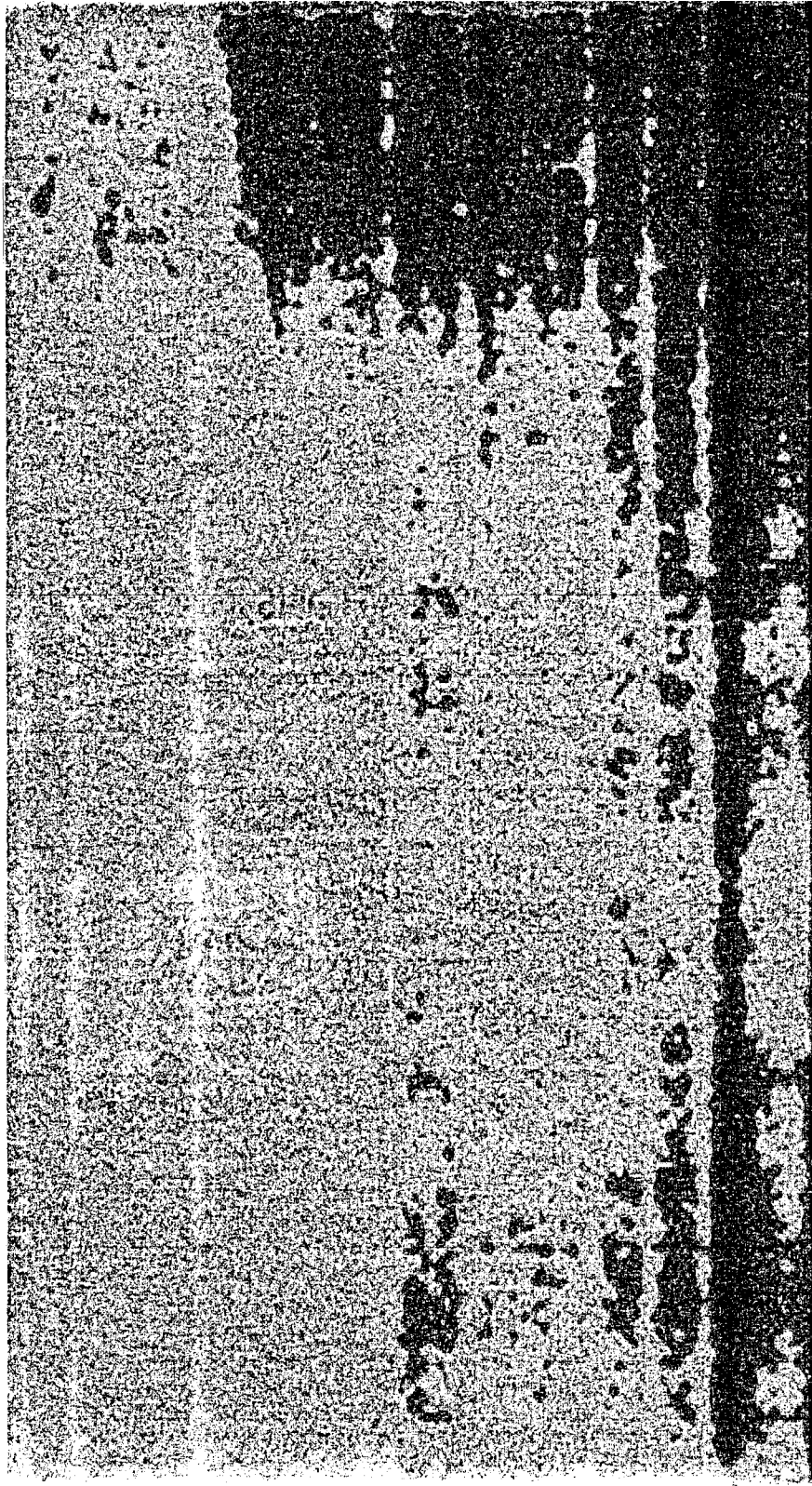
No.	Plate	Name
94041	-----	Hand Attachment Driver Finger 94036 with SS567E, 94039 and 94040, for 94052.....
94044	21486	Hand Attachment Driver Finger Hinge Pin for 94052.....
94046	21486	Hand Attachment Driver for 94070....
94048	21486	" " Pinion for 94070....
94050	21486	" " Body for 94052.....
94051	21486	" " Gear with 55531, 94032 and 94033, for 94052.....
94052	21486	Hand Attachment complete, for 15-211 Machine, Nos. SS565E, SS566C, SS599F, SS600F, 94016, 94027, 94034, 94037, 94038, 94041, 94044, 94050, 94051, 94069, 94070 and two each 183E and 399A.....
94069	21486	Hand Attachment Crank Hinge Pin for 94052.....
94070	-----	Hand Attachment Driver 94046, with 80028 and 94048, for 94052.....
120329	-----	Machine Cover (accessories).....
120378	21485	Screw Driver (shuttle tension) for 121894.....
120598	21485	Ruffler for one, six and twelve stitch ruffling, for 121895....
120687	21478	Hemstitcher with Yielding Presser Plate.....
120842	21485	Hemmer (foot) flat bottom, for 5/64 in. hem, for 121894.....
120862	21479	Oil Can, contents 1 1/3 fluid oz. (filled with household oil) Accessories.....
121079	-----	Singercraft Guide complete.....
121094	-----	Darning Foot (spring) complete....
121170	21479	Ruffler Shirring Plate (universal) with 51395W.....
121255	-----	Singercraft Footer complete.....
121387	-----	Hemstitching and Picoting Attachment complete.....
121441	21485	Presser Foot (double toe) for gathering for 121894.....
121547	21479	Under Braider.....
121634	-----	Needle Threader and Seam Ripper complete.....
121706	-----	Zigzag Attachment (adjustable) complete.....
121717	21479	Presser Foot with 337D, 35002, 35135, 35206 and 36696, for 121718.....
121718	21479	Presser Foot with Extension and Graduated Adjustable Guide complete, Nos. 35003 to 35006 and 121717.....

No.	Plate	Name
121725	21478	Finger Guard.....
121795	-----	Buttonhole Attachment complete.....
121894	-----	Attachment Set, for 121895, Nos. 8879, 25537, 35931, 36865, 120378, 120842, 121441, 160359 and four 2518.....
121895	21485	Attachment Set complete, Nos. 120598 and 121894.....
125018	21473	Shuttle, 1 11/16 in. diam., Nos. 2515, 2518 and 15277.....
125021R	21481	Crank Connecting Rod with 125044 and two 896AL.....
125035	21478	Presser Foot (right toe) for stitching on edge and inserting cord.....
125042	21481	Arm Shaft.....
125044	21481	Crank Connecting Rod Oil Pad (felt) for 125021.....
125045	21481	Feed Cam and Counterbalance with 1285AL.....
125046R	21481	Feed Forked Connection for 125085..
125047	21481	" " " Slide Block for 125335.....
125048	21482	Oscillating Rock Shaft Center (left).....
125049	21482	Oscillating Rock Shaft Center (right).....
125052	21481	Needle Bar Bushing for 125438.....
125055R	21482	Oscillating Rock Shaft with 125056.
125056	21482	Oscillating Rock Shaft Oil Wick (braided cotton).....
125057	21482	Oscillating Shaft Crank for 125059.
125059	-----	" " " 125057 with 125330 and two 462AL.....
125061	21481	Presser Bar.....
125064	21482	Shuttle Driver with 125065 and two each 462AL and 51229E.....
125065	21482	Shuttle Driver Cushion Spring for 125064.....
125068	21484	Bobbin Winder Spindle with 15072, for 125366.....
125072	21481	Needle Bar Bushing Oil Pad (felt) for 125438.....
125079	21481	Needle Bar.....
125080	21473	Shuttle Race Back Spring for 2528..
125085	-----	Feed Forked Connection 125046R with 125335.....
125095	21481	Needle Bar Thread Guard.....
125101	21481	Feed Regulator for 125102.....
125102	-----	" " 125101 with 51225B..
125103B	21481	Stitch Indicator.....
125104	21481	" " Plate.....
*125106	-----	Arm with 435AL, 448AL, 15404, 15486, 15498 and two 15405.....
*125255	-----	Bed.....

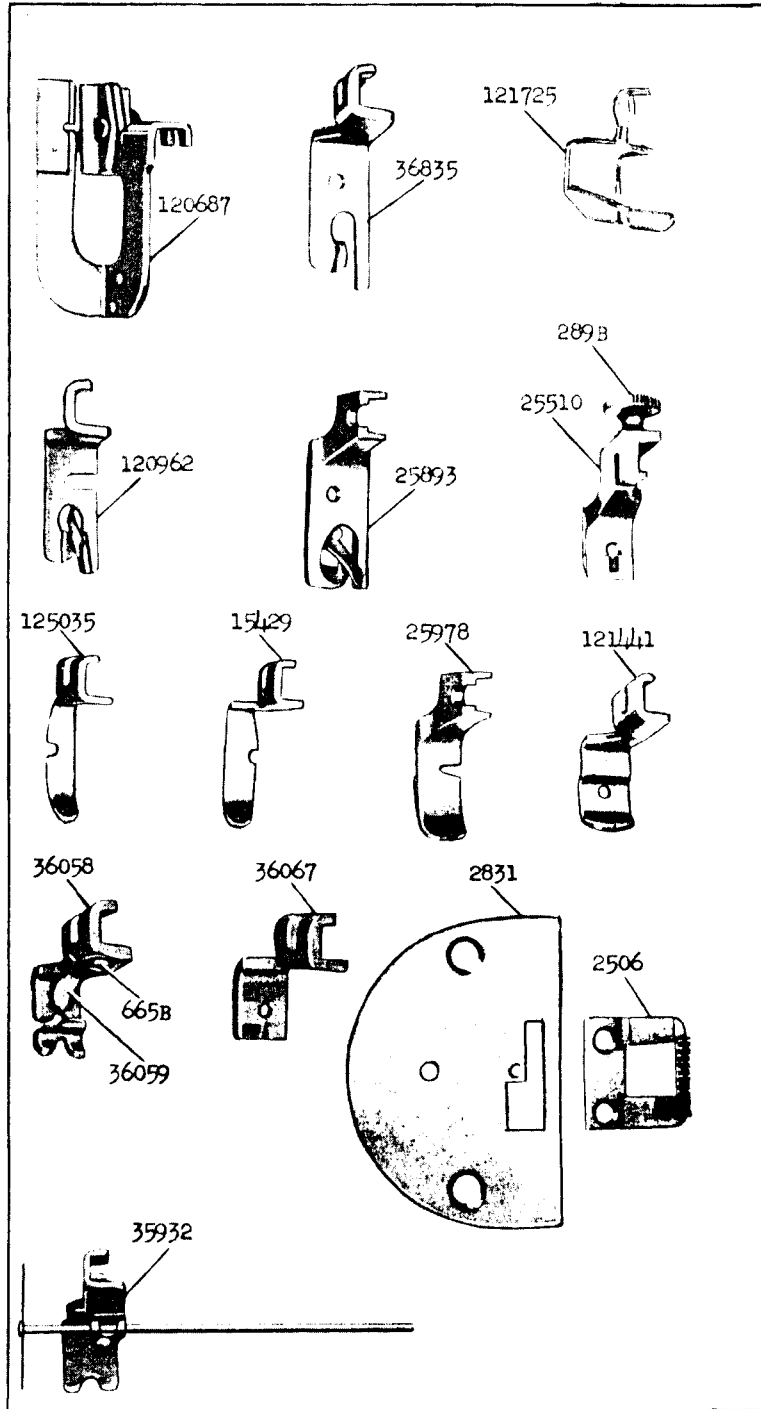
No.	Plate	Name
125310	21483	Tension Indicator for 125315.....
125311	21483	" " Flange for 125315
125312	21483	" Releasing Disc for 125315..
125313	21483	" " Pin for 125315.....
125314	21483	" Spring for 125315.....
125315	-----	Tension (graduated) complete, for 125432 Nos. 51257W, 51608B, 125310 to 125314, 125316, 125318 and two 2102.....
125316	21483	Thread Take-up Spring for 125315...
125317G	21483	" " " Regulator for 125431.....
125318	21483	Thread Take-up Spring Thread Guard for 125315.....
125324	21484	Bobbin Winder Bracket (belt cover) for 125327.....
125326	21484	Bobbin Winder Tripping Arm for 125327.....
125327	21484	Bobbin Winder complete, Nos. 190R, 15287, 51303R, 51319R, 66601, 125324, 125326, 125366, 125376 and 125462.....
125330	21482	Oscillating Shaft Crank Slide Block with Stud for 125059.....
125331	21481	Arm Oil Pad (felt) for oiling Arm Shaft Back Bearing.....
125333	21481	Arm Oil Pad Spring.....
125334G	21481	" " " Cap.....
125335	-----	Feed Forked Connection Slide Block 125047 with 1085E, for 125085..
125336B	21483	Shuttle Race Slide for 125338.....
125337	21483	" " " Spring for 125338.....
125338	21483	Shuttle Race Slide complete, Nos. 125336B, 125337 and two 51282ZJ
125344	-----	Feed Lifting Rock Shaft Screw Center 304C with 1513R (2).....
125344	-----	Feed Rock Shaft Screw Center 304C with 1513R (2).....
125349	21482	Feed Bar Throw-out Lever Retaining Ring for 125430.....
125366	-----	Bobbin Winder Frame 66670 with 15288 and 125068 for 125327....
125376	21484	Bobbin Winder Stop Latch for 125327
125386R	21482	Feed Bar Throw-out Lever with 1813, for 125389.....
125387	-----	Feed Bar Throw-out Lever Spring for 125389.....
125388	21482	Feed Lifting Rock Shaft Crank with 157R, for 125389.....
125389	-----	Feed Lifting Rock Shaft Crank com- plete, Nos. 51289X and 125386R to 125388R, for 125430.....
125395	21484	Bobbin Winder Tension Bracket for 125396.....

NUMERICAL LIST OF PARTS

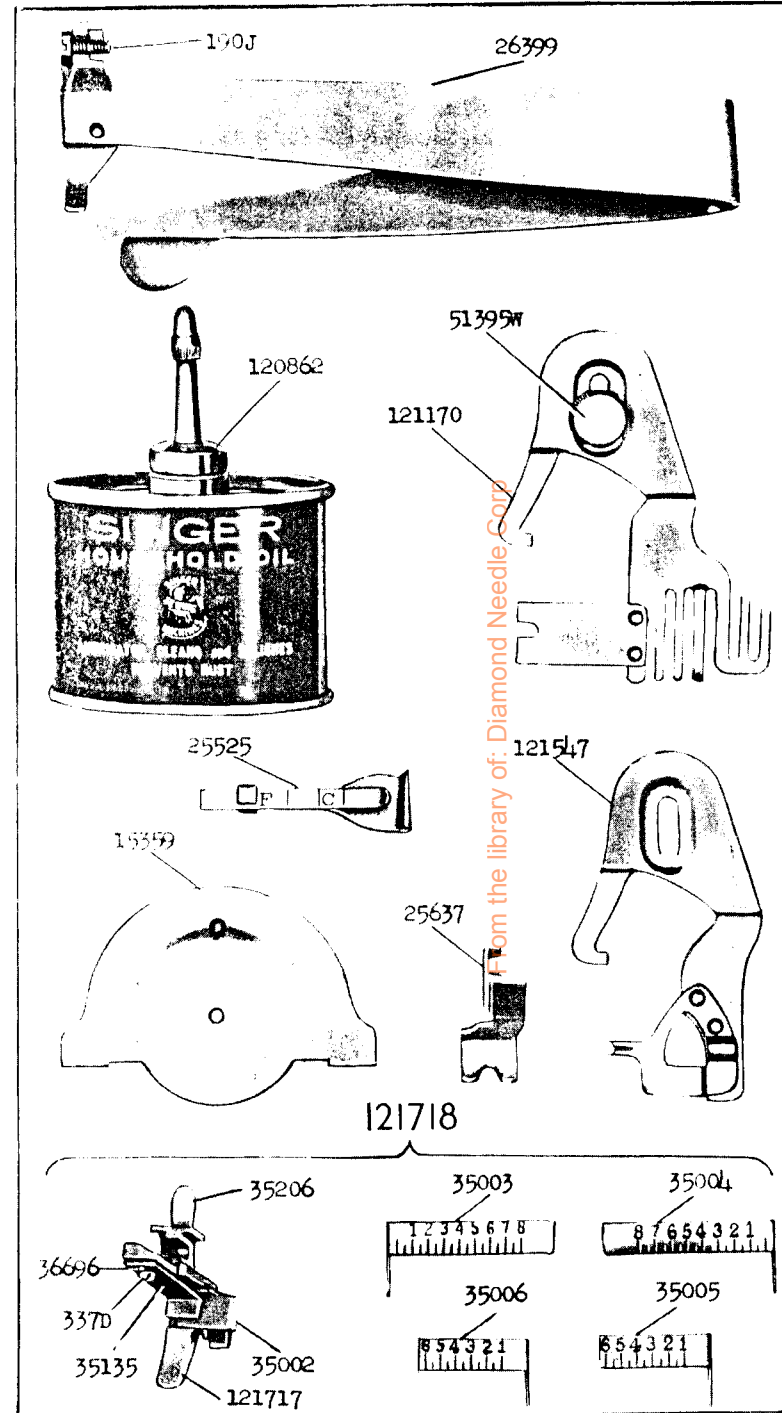
No.	Plate	Name
125396	21484	Bobbin Winder Tension Bracket complete, Nos. 45845 to 45847, 125395 and 140138ZB.....
125422G	-----	Face Plate Thread Guard for 125423.
125423	21483	Face Plate Thread Guard 125422G with 125424G, for 125431.....
125424G	-----	Face Plate Thread Guard Rivet for 125423.....
125425B	21481	Arm Side Cover.....
125429R	21482	Feed Lifting Rock Shaft for 125430.
125430	-----	Feed Lifting Rock Shaft complete, Nos. 125349, 125389 and 125429R
125431	21483	Face Plate with 857B, 50292B, 125317 and 125423, for 125432..
125432	21483	Face Plate complete, Nos. 125315 and 125431.....
125438	-----	Needle Bar Bushing 125052 with 125072.....
125462	21484	Bobbin Winder Stop Latch Spring for 125327.....
140138ZB	21484	Bobbin Winder Tension Screw for 125396.....
140202S	21481	Stitch Indicator Plate Screw (2)...
160359	21485	Binder (slotted for various widths of bindings) with Pin Tape Guide, for unfolded bias binding 15/16 in. wide, (commercial binding No. 6) and folded bias bindings 1/2 in. wide (commercial binding No. 5) 7/16 in. wide (commercial binding No. 4) 3/8 in. wide (commercial binding No. 3) 5/16 in. wide (commercial binding No. 2) and 1/4 in. wide (commercial binding No. 1) for 121894

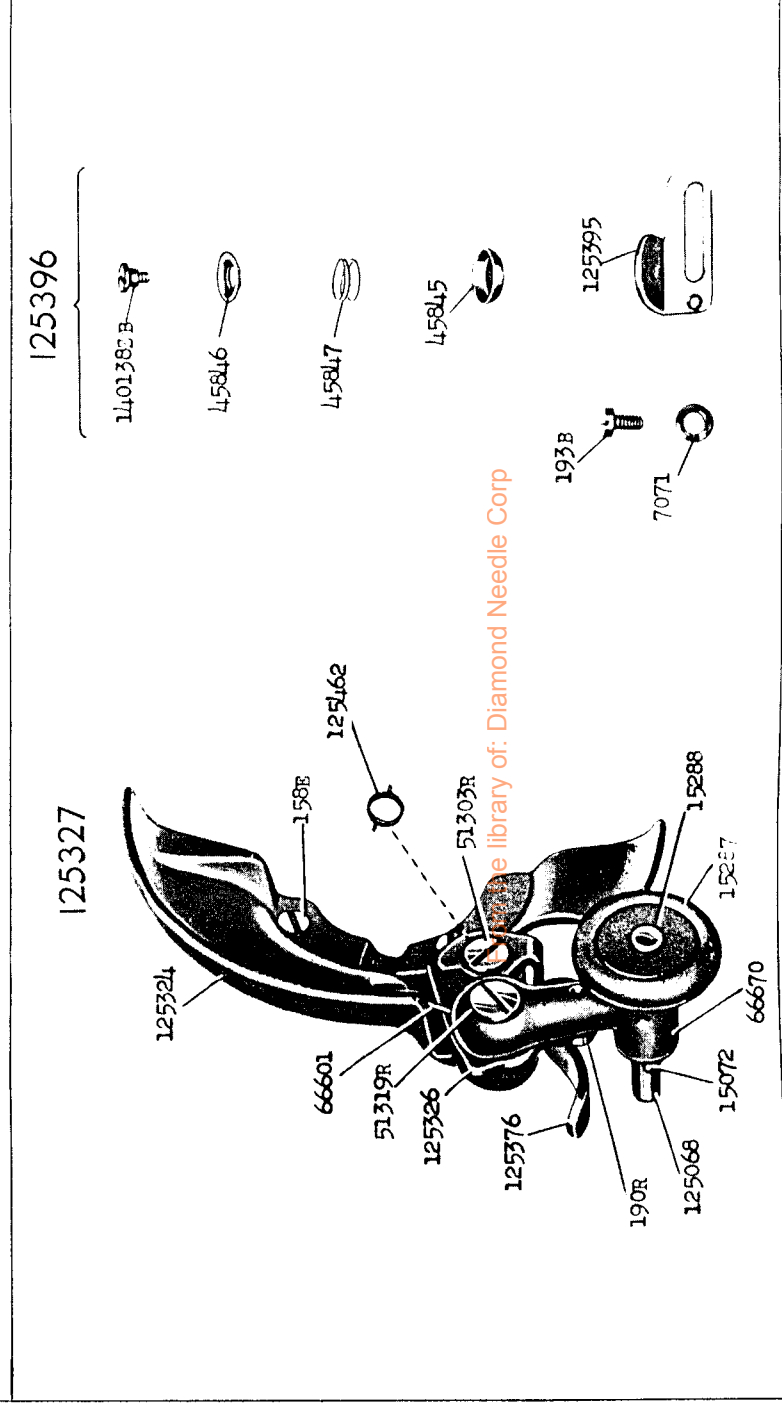
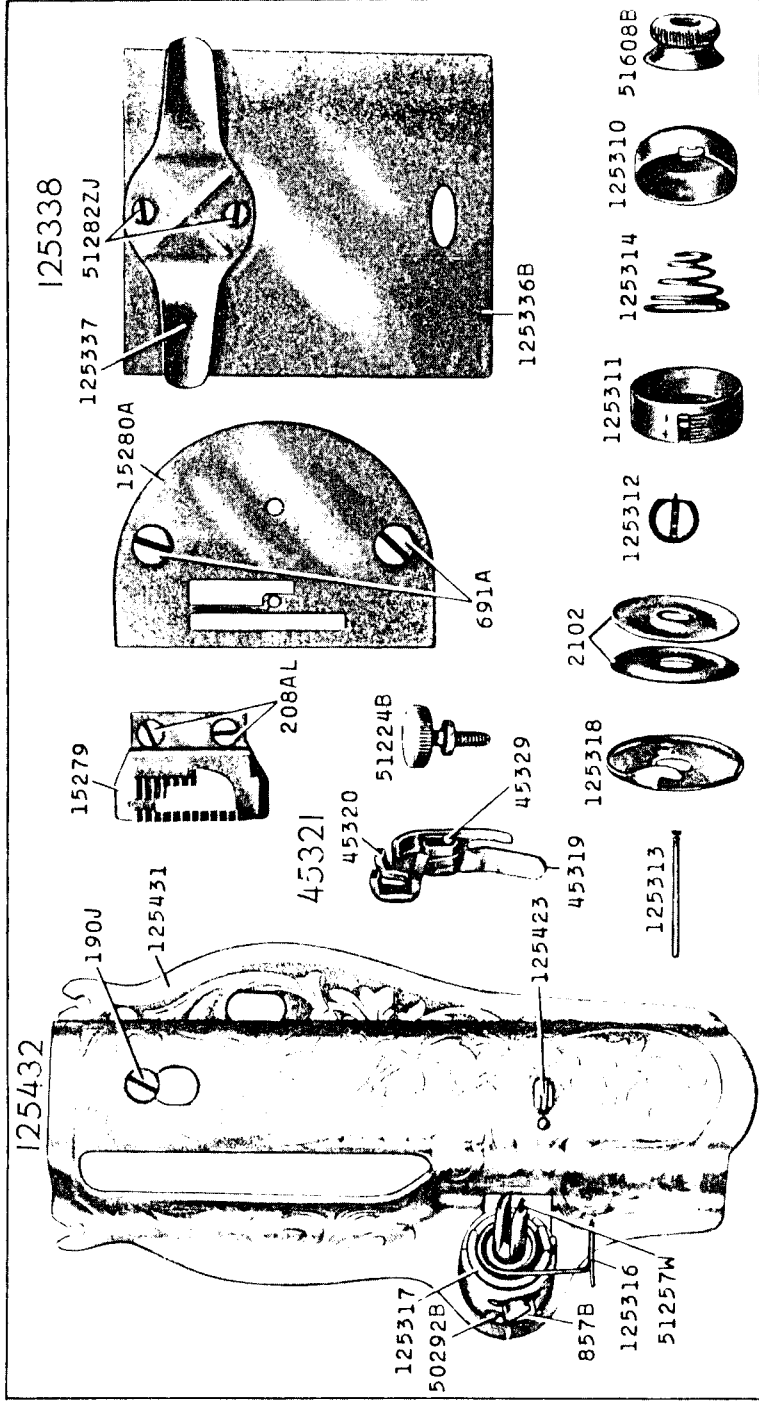


21478 - 1/2

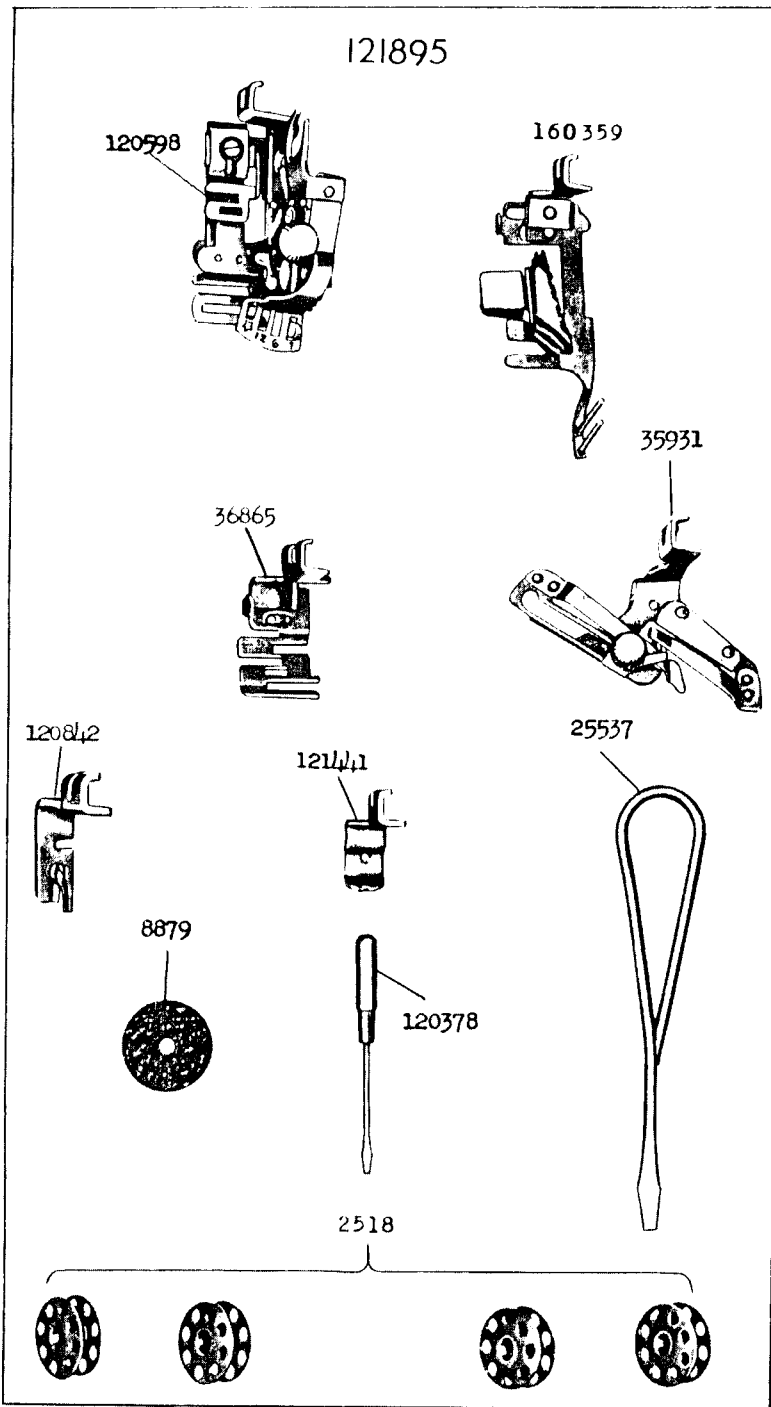


21479 - 1/2

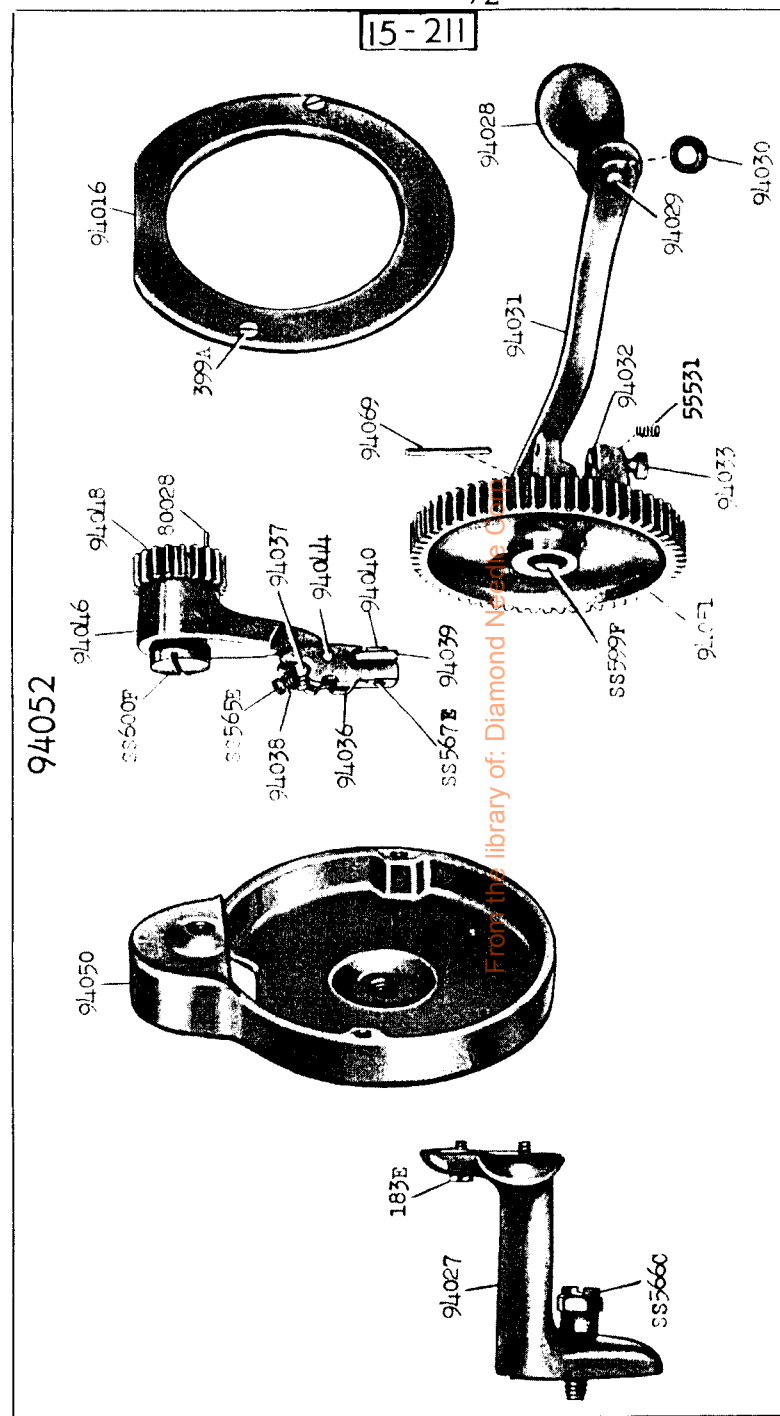




21485 - 1/2



21486 - 1/2



SINGER Needles should be used
in SINGER Machines.
These Needles and their Containers
are marked with the
Company's Trade-Mark "SIMANCO.**" 1

Needles in Containers marked
"FOR SINGER MACHINES"
are NOT **SINGER** made needles. 2